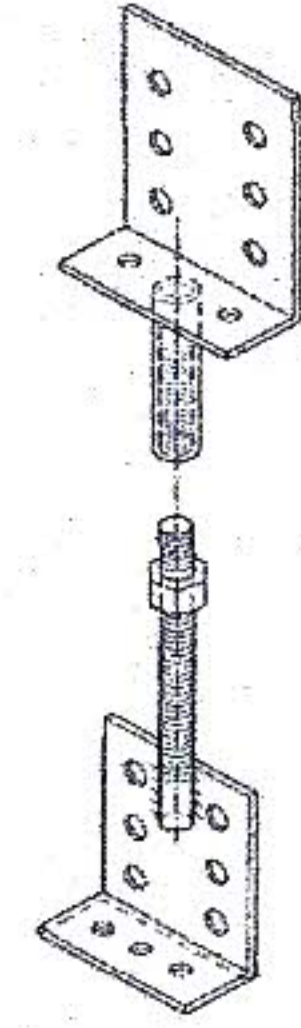
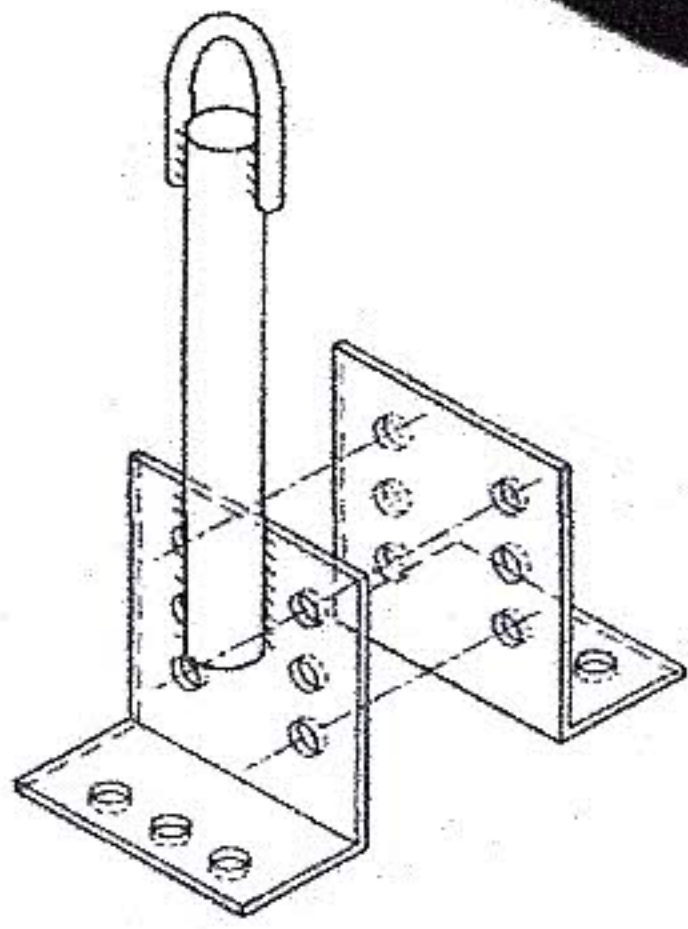
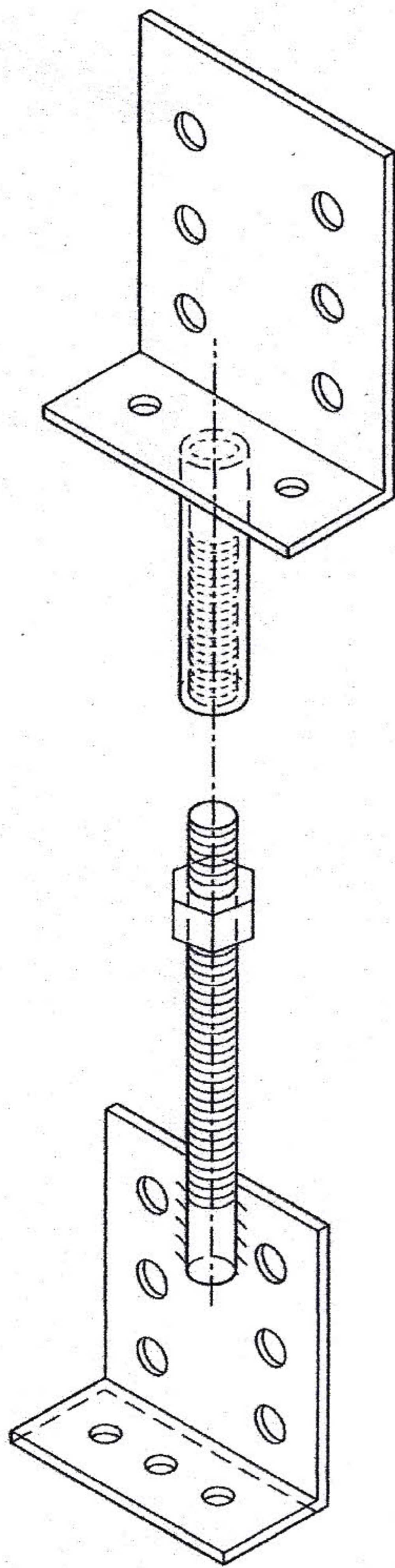




roofextenda[®] PTY LTD
'A BETTER WAY'



Roof Extenda Bracket



**Making
Pergolas, Carports and
Outdoor Entertaining Areas
Stronger and Better**

**Designed By
Don Dunkinson**

**Australian Patent No. 707335
New Zealand Patent No. 312047**

Australian Made, by an Australian Company